

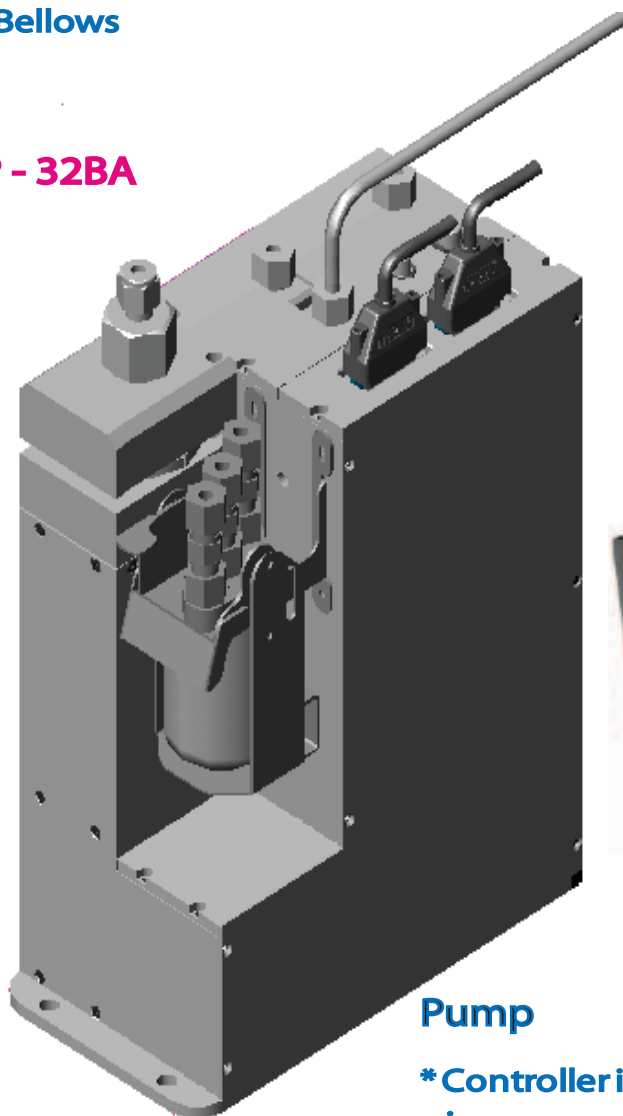
# TALON PUMP

## Photo Resist Pump

### Excellent Dispense Volume Reliability

- ❑ DC Servo motor pump for constant dispenses
- ❑ Automatic Bubble removal System
- ❑ Automatic Degassing Function
- ❑ Recirculation and Purge stage for Bubbles Removal
- ❑ Recirculated PR returns to the Buffer Tank
- ❑ Automatically Eliminating the Pressure in the Filter
- ❑ Step dispenses
- ❑ Outer Type Bellows

Model: **TP - 32BA**



Touch Pad



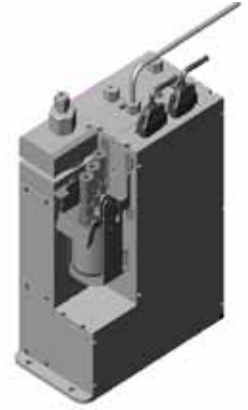
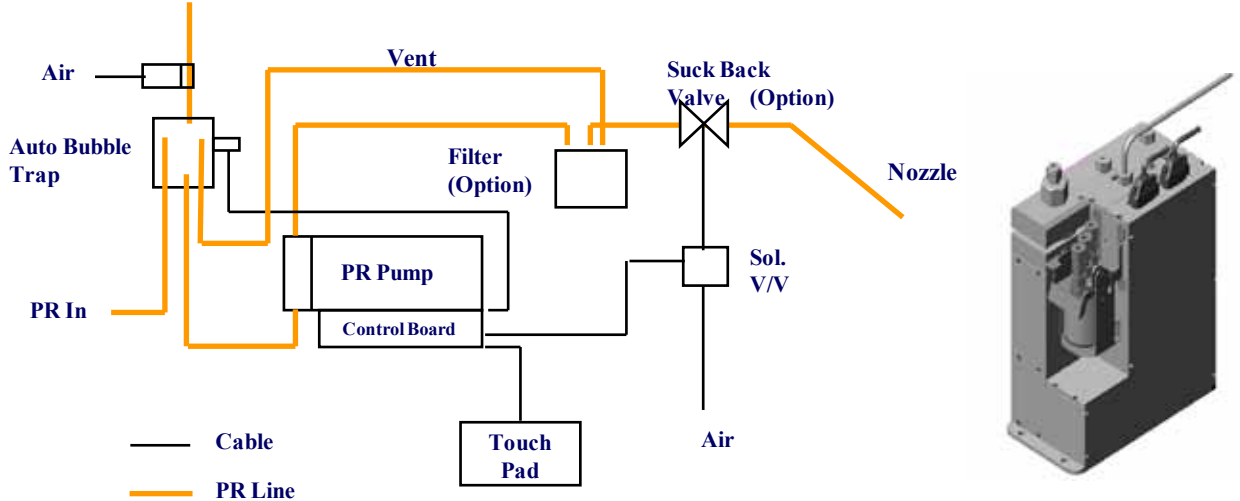
Pump

**\*Controller is integrated  
in pump assembly**

# TALON PUMP

## Photo Resist Pump

### Configuration



### Specifications

ITEM	DESCRIPTION	
<b>Process</b>		
Dispense Volume Range	0.1cc ~ 7.0cc	
Dispense/ Reload Rate	0.1cc/sec ~ 7.0cc/sec	
Dispense Volume Resolution	0.0025cc	
Dispense Repeatability	≤±0.02(0.8cp, 23℃)	
Viscosity	Max: 150cp (with filter)	
<b>Utility</b>		
Electric Power	24VDC/1A	
Air	0.1~0.3Mpa	
Resist In/ Out	1/4 Inch Teflon	
<b>Hardware</b>		
Weight	Touch Pad	0.5kg
	Pump	6.4kg
Dimension (W)×(L)×(H)mm	Touch Pad	140×88×45
	Pump	100×247×282

### Characteristics

