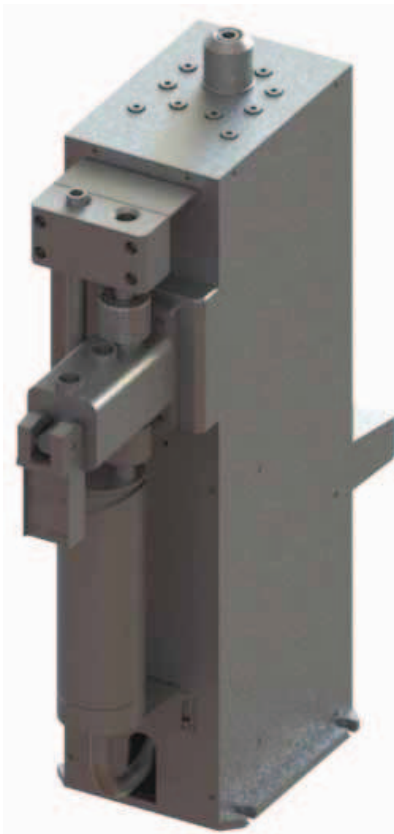


TALON PUMP

Photo Resist Pump

HIGH VISCOSITY PR PUMP

- DC Servo motor pump for constant dispenses
- Separated Controller and Touch Pad
- Touch Pad can control up to 16 pumps
- Bubble trap for automatic bubble vents and PR charges
- Compact sized PR Pump and Controller. (1 controller covers 2 pumps)
- Bubble Reduction Function
- Diaphragm and bubble trap technologies are applied for step dispenses
- Save Maintenance Time
 - Easy Purge Function (bottle → buffer → nozzle)
 - Optimized Buffer Tank
- Special Welding
- No Leak Point



Pump

Model: **TP - 50BS**

Touch pad

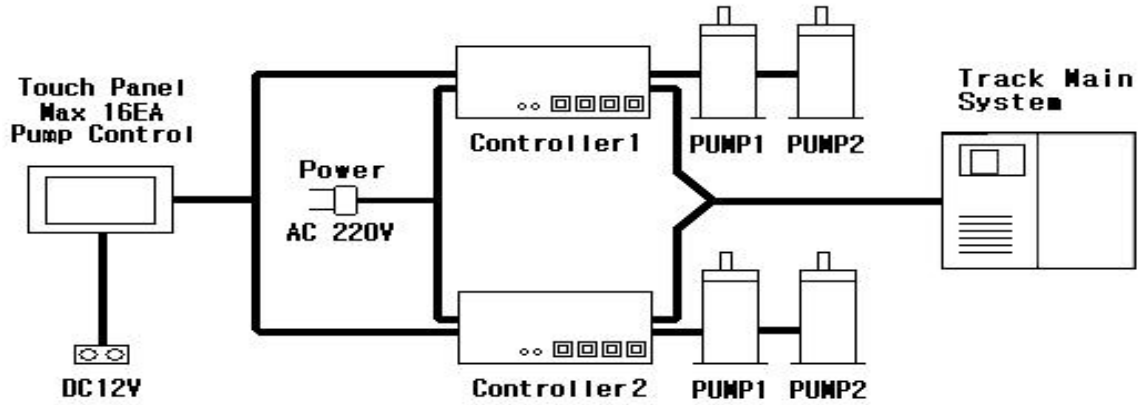


Controller

TALON PUMP

Photo Resist Pump

■ Configuration



■ Specifications

ITEM	DESCRIPTION	
Process		
Dispense Volume Range	Max: 7.0cc	
Dispense/ Reload Rate	0.5cc/sec / 0.4cc/sec	
Dispense Volume Resolution	0.01cc	
Dispense Repeatability	≤±0.04(Polyimide PIX/PIQ)	
Viscosity	200~20,000cp	
Utility		
Electric Power	100VAC or 220VAC, 50/60Hz	
Air	0.1~0.3Mpa	
Resist In/ Out	3/8 Inch Teflon	
Hardware		
Weight	Controller/ Touch Pad	2.5kg/ 0.5kg
	Pump	5.8kg
Dimension (W)×(D)×(H)mm	Controller/ Touch Pad	250×250×88.1 / 140×88×45
	Pump	97×200×550

Strongly Recommendation

1. The distance between the pump & the PR bottle must be less than 1.5meter.
2. If longer than 1.5meter, strongly recommend to discuss Talon Tech Co.,Ltd

■ Characteristics

